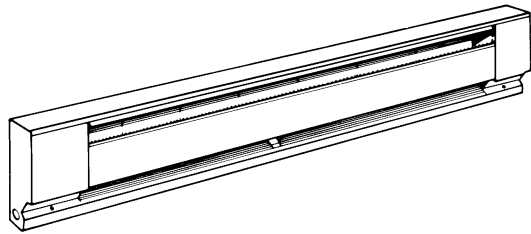




470 Beauty Spot Rd. E, Bennettsville, SC 29512



SUBMITTAL SHEET
2500 Series
CONVECTOR
BASEBOARD HEATERS

CAPACITIES
376 TO 2500 W 145, or 250 Watts/ft. 2', 2'6", 3, 4, 5, 6 or 8' lengths 1 phase only

2500 SERIES - CONVECTOR BASEBOARD HEATERS

JOB NAME: _____
 LOCATION: _____
 ARCHITECT: _____
 ENGINEER: _____
 CONTRACTOR: _____
 SUBMITTED BY: _____
 DATE: _____

ITEM	QTY.	CATALOG NUMBER	TAG	WATTS	VOLTS	PHASE Ø	AMPS	BUILT-IN CONTROLS

ACCESSORIES
AND
CONTROLS

ITEM	QTY.	CAT. NO.	TAG	DESCRIPTION



470 Beauty Spot Rd. E, Bennettsville, SC 29512

**WIRING COMPARTMENTS
DIMENSIONS**

Unit length varies
with model.
See Selection Chart.

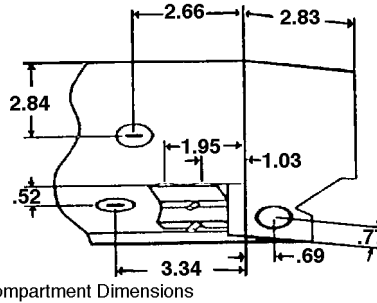


Figure 3
Wiring Compartment Dimensions

All knockouts are
7/8 inch diameter
for 1/2 inch conduit.

SELECTION CHART

CATALOG NUMBER	VOLTS	WATTS	LGTH.	WT. (LBS.)
2542W	240/208	400/300	2'	5.2
25426W	240/208	500/376	2'6"	6.3
2543W	240/208	750/564	3'	7.5
2544W	240/208	1000/752	4'	10.0
2545W	240/208	1250/940	5'	11.5
2546W	240/208	1500/1128	6'	14.0
2548W	240/208	2000/1504	8'	18.5
25408W	240/208	2500/1880	8'	18.5
2512W	120	400	2'	5.2
25126W	120	500	2'6"	6.3
2513W	120	750	3'	7.5
2514W	120	1000	4'	10.0
2515W	120	1250	5'	11.5
2516W	120	1500	6'	14.0
2502W	208	400	2'	5.2
25026W	208	500	2'6"	6.3
2503W	208	750	3'	7.5
2504W	208	1000	4'	10.0
2505W	208	1250	5'	11.5
2506W	208	1500	6'	14.0
2508W	208	2000	8'	18.5
25008W	208	2500	8'	18.5
2572W	277/240/208	400/300/225	2'	5.2
25726W	277/240/208	500/376/282	2'6"	6.3
2573W	277/240/208	750/564/423	3'	7.5
2574W	277/240/208	1000/752/564	4'	10.0
2575W	277/240/208	1250/940/705	5'	11.5
2576W	277/240/208	1500/1128/846	6'	14.0
2578W	277/240/208	2000/1504/1128	8'	18.5
25708W	277/240/208	2500/1880/1410	8'	18.5

High Altitude Baseboard Heater (Above 7500) add suffix "H" to catalog number.

ACCESSORIES AND CONTROLS

CATALOG NUMBER	DESCRIPTION	SHIP WT.
TA1AW	SP Thermostat, rated 22A @ 120-277V	1
TA1TPAW	Tamper resistant version of above.	1
TA2AW	DP Thermostat, rated 22A @ 120-277V	1
TA2TPAW	Tamper resistant version of above.	1
HCA2415/20W	240V Load Transfer Switch, 20A	1
HCA1215/20W	120V Load Transfer Switch, 20A	1
RSA1224	120V/24V Transformer Relay, 25A	1
RSA2024	208V/24V Transformer Relay, 25A	1
RSA2424	240V/24V Transformer Relay, 25A	1
RSA2724	277V/24V Transformer Relay, 22A	1
RA1W	120V Duplex Receptacle	1
DSW2W	Double Pole Disconnect Switch - rated 20A @ 120-277V	1
PR24	Single Pole Power Relay, 24V Control rated 30A @ 120-240V, 23A @ 277V.	1
PR120	Same as above except 120V Control.	1
ICAW	Inside Corner	1
RA1COMPW	Duplex Receptacle Cover only - carton of 10	1

Filler Sections

CATALOG NO.	DESCRIPTION	SHIP WT. (lbs)
FS12	1 Foot Filler Section	2
FS24	2 Foot Filler Section	4
FS36	3 Foot Filler Section	6
FS48	4 Foot Filler Section	8
FSJ2	2 inch Joiner Strip	1/2

High Altitude Baseboard Heater (mounted above 7500 ft.), add suffix "H" to catalog number.

NOTE: Eight foot length baseboards must be ordered in multiples of two pieces for shipment.

NOTE: Low watt density models and draft barrier models do not require the "H" suffix for high altitude applications.

NOTE: For Northern-white units, add NW suffix to catalog number. ex. (2544NW)

ARCHITECT'S & ENGINEER'S SPECIFICATIONS*

Furnish and install where indicated on plans, electric baseboard heaters, suitable for continuous operation as manufactured by QMark, A Marley Engineered Products Brand, Bennettsville, SC. Heaters shall be UL listed.

ENCLOSURE: The heaters shall be fabricated of minimum .028 inch steel with minimum .040 inch steel control boxes. Junction box enclosure to have provisions for incoming and outgoing cable with cable clamp for restraining without additional hardware. Ground wire pigtail provided in each junction box for grounding.

FRONT COVER: The front cover shall be fabricated of minimum 0.28 inch steel.

HEATING ELEMENT: The heating element wire shall consist of 80%

nickel, 20% chromium, and shall be encased in steel sheath to assure long and trouble free life. Aluminum fins shall be so designed as to block sheath radiation to front and back of heater body and pressure bonded to the steel sheath.

INSTALLATION: Heaters shall be designed to permit use of supply conductors with 60°C insulation.

GENERAL: Linear thermal cut-out shall be factory installed to automatically shut off heater in event of overheating and reactivate heater when temperatures return to normal. The complete heater shall have a height of 6-3/4 inches and a depth of 2-7/8 inches. Heaters shall have UL approval for mounting on any floor surface including carpeting.

* QMark reserves the right to change specifications without prior notice.